

# PAR 280 PLC



## TAM OTOMATİK PLC KONTROLLÜ TESTERE TEZGAHI FULL AUTOMATIC PLC CONTROL BANDSAW MACHINE



01  
MALZEME SIKMA SİSTEMİ  
MATERIAL CLAMPING SYSTEM

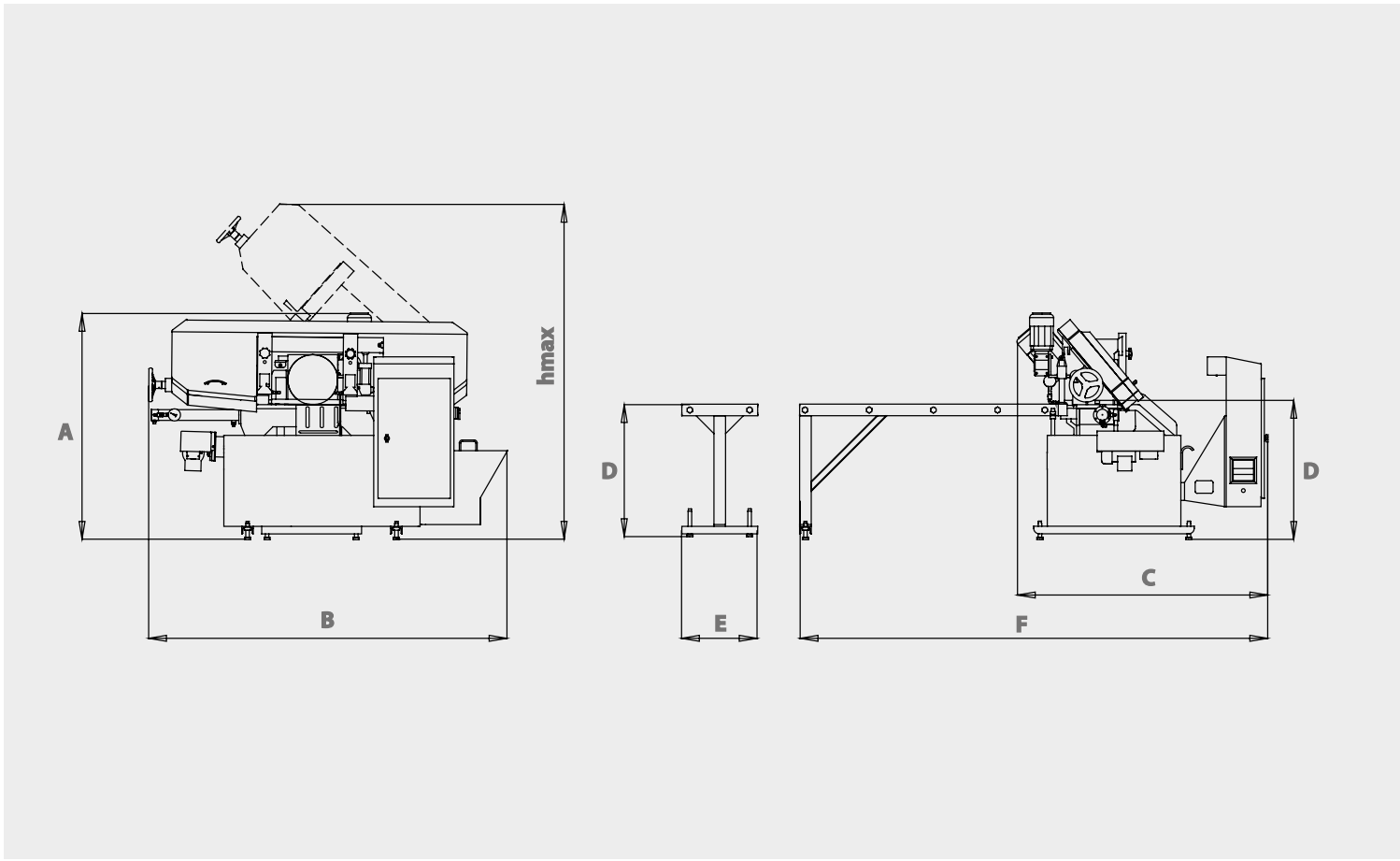
02  
MALZEME SÜRME SİSTEMİ  
MATERIAL FEEDING SYSTEM

03  
KUMANDA PANELİ  
CONTROL PANEL

04  
DAYAMASIZ HASSAS KESİM  
ACCURATE CUTTING

## ÖLÇÜLER DIMENSIONS

## MAFSALLI MODELLER PIVOT TYPES



## TEKNİK ÖZELLİKLER TECHNICAL FEATURES

|   |                       |   |                       |   |                       |   |                      |   |                      |   |                        |      |                       |
|---|-----------------------|---|-----------------------|---|-----------------------|---|----------------------|---|----------------------|---|------------------------|------|-----------------------|
| A | 1215 mm<br>47.83 inch | B | 2010 mm<br>79.13 inch | C | 1410 mm<br>55.51 inch | D | 750 mm<br>29.53 inch | E | 525 mm<br>20.67 inch | F | 2630 mm<br>103.54 inch | hmax | 1850 mm<br>72.83 inch |
|---|-----------------------|---|-----------------------|---|-----------------------|---|----------------------|---|----------------------|---|------------------------|------|-----------------------|

|  |  |  |   |
|--|--|--|---|
| <b>PLC</b> Otomatik Automatic  | Şerit Ölçüsü<br>Blade Dimension<br>27 x 0.9 x 3670 mm<br>1 x 0.035 x 144.5 inch    | Şerit Motoru<br>Blade Motor<br>1,5 kW - 1500 d/dk<br>2 hp - 1500 rpm           | Sürücü Motor<br>Feeding Motor<br>0.37 kW - 1000 d/dk<br>0.49 hp - 1000 rpm      |
| Hidrolik Motor<br>Hydraulic Pump Motor<br>0.75 kW - 1400 d/dk<br>1 hp - 1400 rpm | Soğutucu Motor<br>Cooling Liquid Motor<br>0.12 kW - 3000d/dk<br>0.16 hp - 3000 rpm | Voltaj<br>Voltage<br>400 V<br>400 V  | Maksimum Güç<br>Maximum Power<br>2,92 kW<br>3,91 hp                             |
| Kesme Hızı<br>Cutting Speed<br>15 m/dk - 49 ft/min<br>130 m/dk - 426 ft/min      | Ağırlık<br>Weight<br>870 kg<br>1918 lbs  | Talaş Konveyörü M<br>Chip Conv. M.<br>0.18 kW - 1500 d/dk<br>0.24 hp - 1500rpm | Şerit Germe Sistemi<br>Blade Tensioning System<br>Hidromekanik<br>Hydramechanic |

|  |  |     |     |     |    |     |     |     |
|--|--|-----|-----|-----|----|-----|-----|-----|
| Kesim Kapasitesi<br>Cutting Capacity<br>280 mm<br>11.02 inch | Kesim Kapasitesi<br>Cutting Capacity<br>290 mm<br>11.42 inch | 60° | 45° | 30° | 0° | 10° | 45° | 60° |
| Kesim Kapasitesi<br>Cutting Capacity<br>280 mm<br>11.02 inch | Kesim Kapasitesi<br>Cutting Capacity<br>290 mm<br>11.42 inch | 60° | 45° | 30° | 0° | 10° | 45° | 60° |