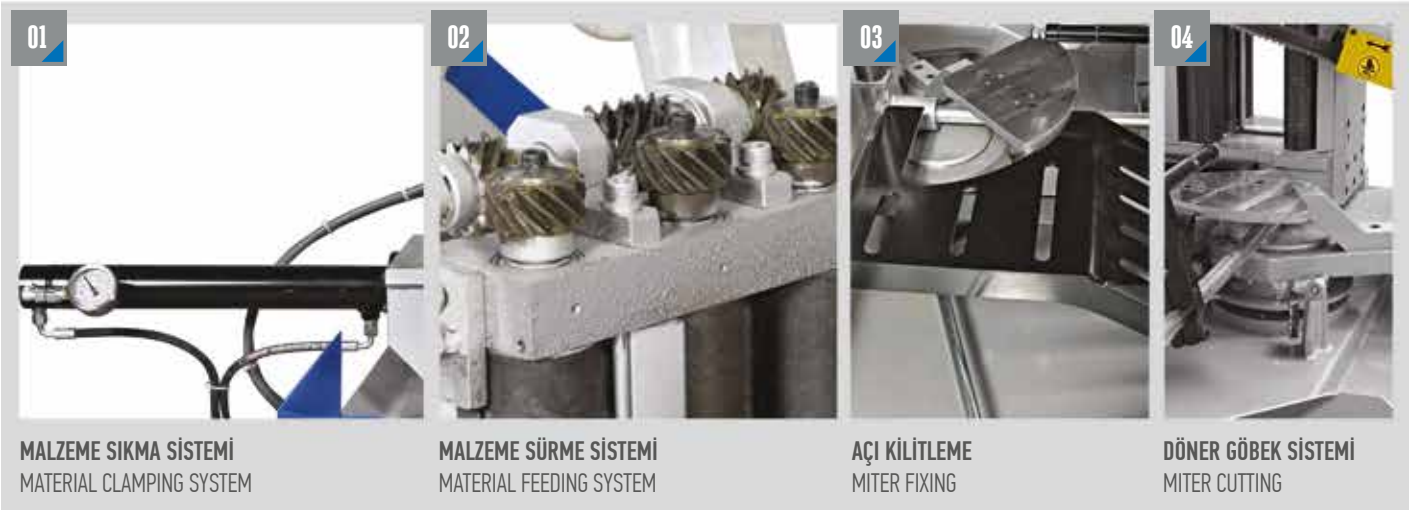


# PAR 350 M



## TAM OTOMATİK AÇILI TESTERE TEZGAHI FULL AUTOMATIC MITER BANDSAW MACHINE



01  
MALZEME SIKMA SİSTEMİ  
MATERIAL CLAMPING SYSTEM

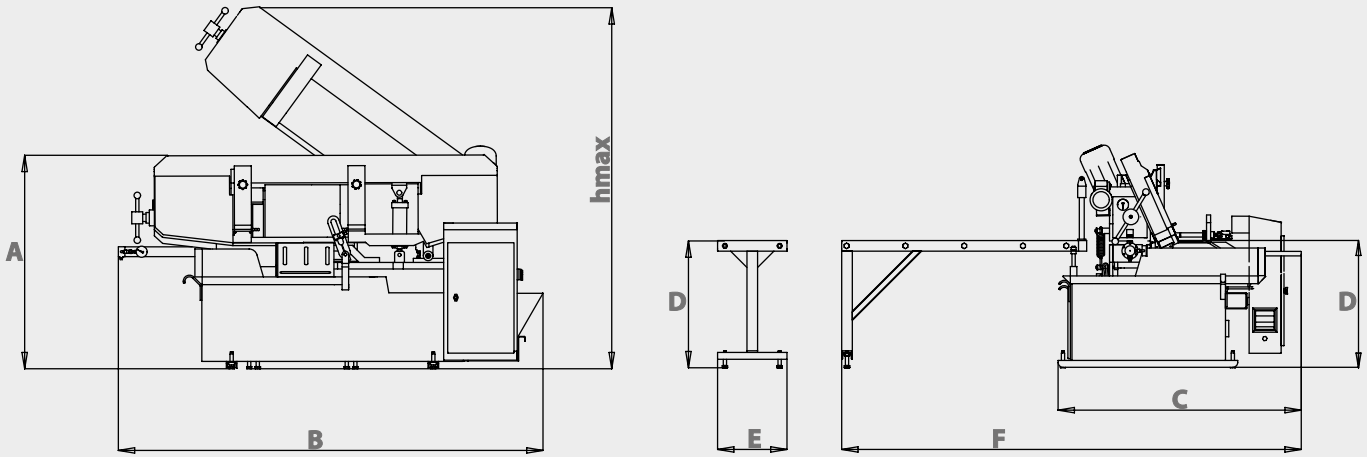
02  
MALZEME SÜRME SİSTEMİ  
MATERIAL FEEDING SYSTEM

03  
AÇI KİLİTLEME  
MITER FIXING

04  
DÖNER GÖBEK SİSTEMİ  
MITER CUTTING

## ÖLÇÜLER DIMENSIONS

## MAFSALLI MODELLER PIVOT TYPES



## TEKNİK ÖZELLİKLER TECHNICAL FEATURES

A	1370 mm 53.94 inch	B	2600 mm 102.36 inch	C	1480 mm 58.27 inch	D	775 mm 30.51 inch	E	525 mm 20.67 inch	F	2800 mm 110.24 inch	hmax	2150 mm 84.65 inch
---	-----------------------	---	------------------------	---	-----------------------	---	----------------------	---	----------------------	---	------------------------	------	-----------------------

Otomatik Automatic	Şerit Ölçüsü Blade Dimension 34 x 1.1 x 4570 mm 1 1/4 x 0.042 x 180 inch	Şerit Motoru Blade Motor 4 kW - 1500 d/dk 5.36 hp - 1500 rpm	Sürücü Motor Feeding Motor 0.25 kW - 1500 d/dk 0.33 hp - 1500 rpm
Hidrolik Motor Hydraulic Pump Motor 0.75 kW - 1400 d/dk 1 hp - 1400 rpm	Soğutucu Motor Cooling Liquid Motor 0.12 kW - 3000 d/dk 0.16 hp - 3000 rpm	Voltaj Voltage 400 V 400 V	Maksimum Güç Maximum Power 5.12 kW 6.86 hp
Kesme Hızı Cutting Speed 15 m/dk - 115 ft/min 100 m/dk - 230 ft/min	Ağırlık Weight 1150 kg 2335 lbs	Malzeme Sıkma Sistemi Material Clamping System Hidrolik Hydraulic	Şerit Germe Sistemi Blade Tensioning System Hidromekanik Hydramechanic

90°	60°	45°	30°	0°	10°	15°	60°
Kesim Kapasitesi Cutting Capacity	Kesim Kapasitesi Cutting Capacity						
350 mm 13.78 inch	460 mm 18.11 inch				350 mm 13.78 inch	350 mm 13.78 inch	320 mm 12.60 inch
					350 x 350 mm 13.78 x 13.78 inch	350 x 350 mm 13.78 x 13.78 inch	300 x 300 mm 11.81 x 11.81 inch
					350 x 460 mm 13.78 x 18.11 inch	250 x 400 mm 9.84 x 15.75 inch	290 x 180 mm 11.42 x 7.09 inch