

# PSM 350 U

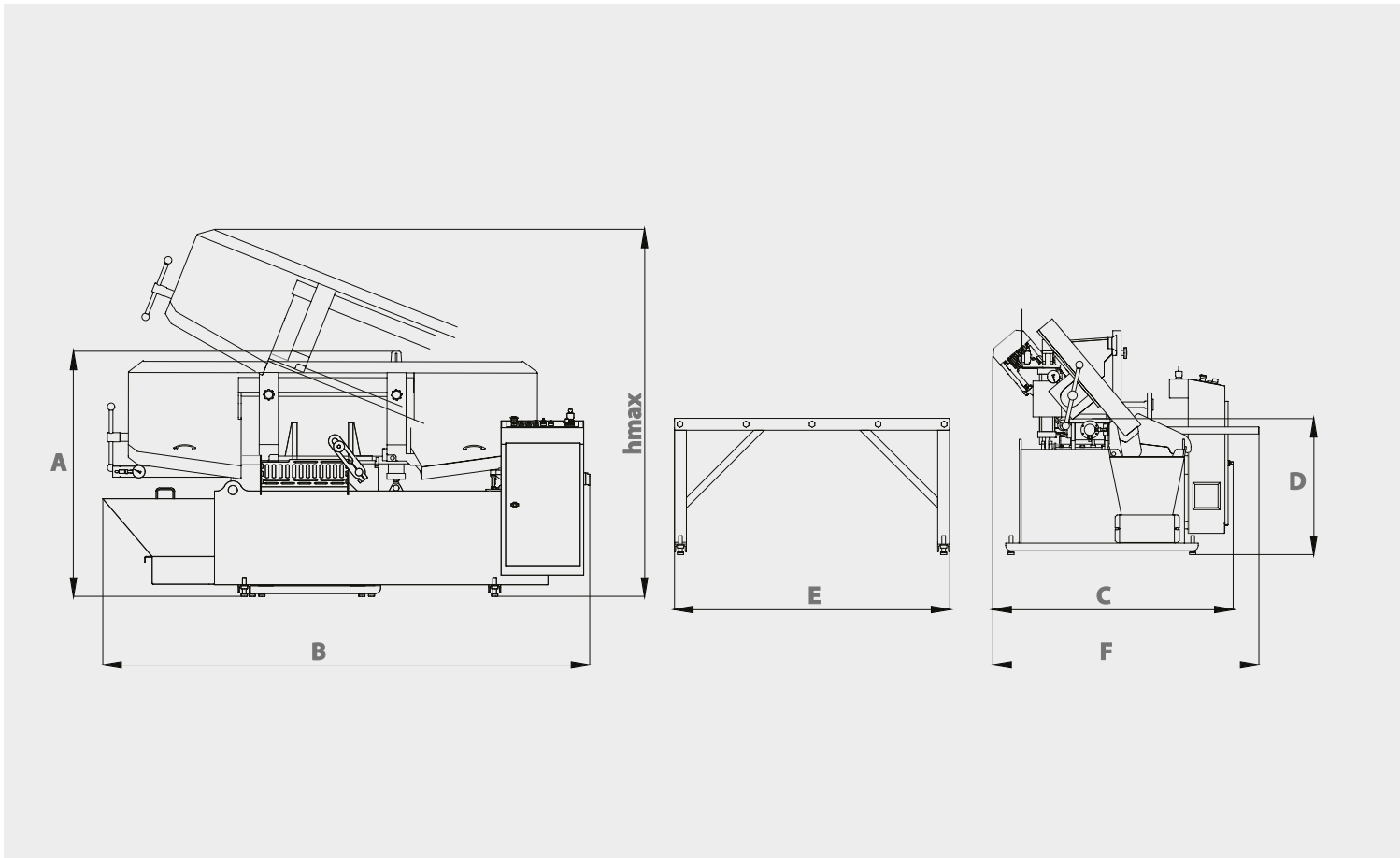


## YARI OTOMATİK TESTERE TEZGAHI SEMI AUTOMATIC BANDSAW MACHINE



## ÖLÇÜLER DIMENSIONS

## MAFSALLI MODELLER PIVOT TYPES



## TEKNİK ÖZELLİKLER TECHNICAL FEATURES

A	1335 mm 52.56 inch	B	2655 mm 104.53 inch	C	1310 mm 51.57 inch	D	740 mm 29.13 inch	E	1500 mm 59.06 inch	F	1450 mm 57.09 inch	hmax	2000 mm 78.74 inch
---	-----------------------	---	------------------------	---	-----------------------	---	----------------------	---	-----------------------	---	-----------------------	------	-----------------------

Yarı Otomatik Semi Automatic	Şerit Ölçüsü Blade Dimension 41 x 1.3 x 4635 mm 1 1/2 x 0.050 x 182.4 inch	kW Şerit Motoru Blade Motor 4 kW - 1500d/dk 5.36 hp - 1500 rpm	kW Sürücü Motor Feeding Motor Manual Manual
kW OIL Hidrolik Motor Hydraulic Pump Motor 0.75 kW - 1400 d/dk 1 hp - 1400 rpm	kW H <sub>2</sub> O Soğutucu Motor Cooling Liquid Motor 0.12 kW - 3000d/dk 0.16 hp - 3000 rpm	Voltaj Voltage 400 V 400 V	Maksimum Güç Maximum Power 4.87 kW 6.53 hp
Kesme Hızı Cutting Speed 15 m/dk - 49 ft/min 100 m/dk - 328 ft/min	KG LBS Ağırlık Weight 1174 kg 2588 lbs	Malzeme Sıkma Sistemi Material Clamping System Hidrolik Hydraulic	Şerit Germe Sistemi Blade Tensioning System Hidromekanik Hydramechanic

Kesim Kapasitesi Cutting Capacity	Kesim Kapasitesi Cutting Capacity	mm inch	60°	45°	30°	0°	106°	45°	60°
350 mm 13.78 inch	400 mm 15.75 inch	●	300 mm 11.81 inch	280 x 280 mm 11.02 x 11.02 inch	350 mm 13.78 inch	350 x 350 mm 13.78 x 13.78 inch	350 mm 13.78 inch	350 x 350 mm 13.78 x 13.78 inch	210 x 400 mm 8.27 x 15.75 inch
350 mm 13.78 inch	400 mm 15.75 inch	■	280 x 280 mm 11.02 x 11.02 inch	200 x 300 mm 7.87 x 11.81 inch	350 mm 13.78 inch	350 x 350 mm 13.78 x 13.78 inch	350 mm 13.78 inch	350 x 350 mm 13.78 x 13.78 inch	210 x 400 mm 8.27 x 15.75 inch
350 mm 13.78 inch	400 mm 15.75 inch	■	280 x 280 mm 11.02 x 11.02 inch	200 x 300 mm 7.87 x 11.81 inch	350 mm 13.78 inch	350 x 350 mm 13.78 x 13.78 inch	350 mm 13.78 inch	350 x 350 mm 13.78 x 13.78 inch	210 x 400 mm 8.27 x 15.75 inch